

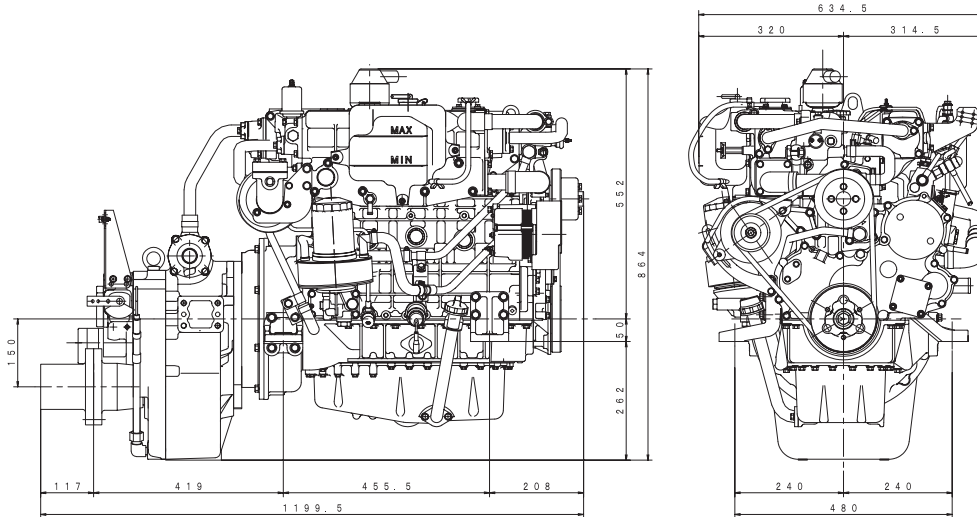
UM4JB1TCX

ISUZU

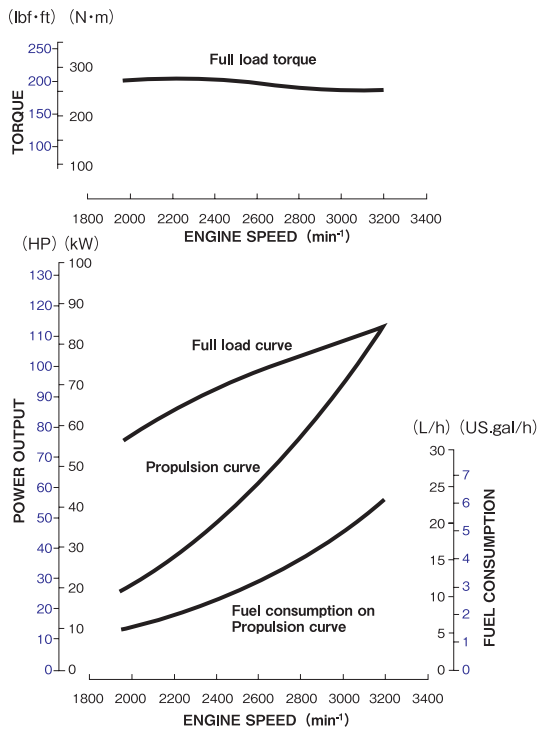
ISUZU MOTORS ENGINE SALES INC.

UM4JB1TCX

DIMENSIONS (mm)



PERFORMANCE CURVES



ENGINE SPECIFICATIONS

Configuration	4-cylinder, vertical in-line, 4-cycle deisel engine		
Bore x Stroke	mm (in)	93 x 102 (3.66 x 4.02)	
Displacement	Lit. (cid)	2.771 (169)	
Rated output	kW(PS)/min ⁻¹	Medium duty	81 (110) / 3100
		Light duty	85 (115) / 3200
Application	Commercial use		
Governor type	Mechanical		
Combustion type	Direct injection		
Aspiration	Turbo charged / Intercooler		
Engine weight	kg (lb)	Engine	298 (657)
		with MGN35A-5	453 (998)
Fuel used	Diesel fuel		
Starter	V-kW	24 - 3.2	
Alternator	V-A	24 - 30	
Lubrication method	Full flow pressure circulation		
Cooling method	Freshwater, full flow pressure circulation (Seawater, indirect)		
Heat exchanger (seawater circulation)	Multi-tube type (freshwater→seawater)		
Intercooler	Multi-tube type (seawater circulation)		
Rotation direction	Crankshaft	Right (clockwise) viewed from front of engine	
	Propeller shaft	Right (clockwise) viewed from stern	
Idling speed	min ⁻¹	500~550	
Marine gear	Marine Gear Model	MGN35A-5	
	Clutch type	Wet, Multi-plate hydraulic type	
	Reverse type	Constant-mesh type gear	
	Reduction ratio	2.56, 3.05, 3.45	

Specifications subject to change without notice

ACCESSORIES

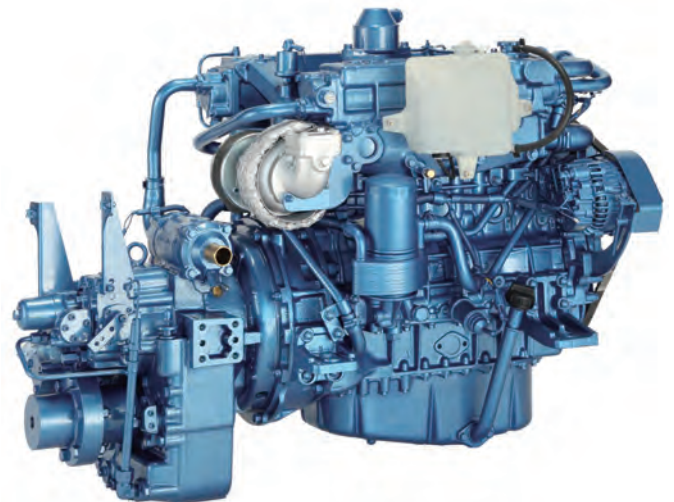
Standard

- Installation kit
- Battery relay
- Extension harness (3m)
- Seawater pump impeller *
- Bilge pump
- Control head
- Instrument panel
- Tool kit
- Owner's manual

* spare parts

Option

- Extension harness (3m)
- Control cable (4m,6m,10m,12m)
- Stop cable (4m,6m,8m)
- Kingston valve



ISUZU MOTORS ENGINE SALES INC.

<http://www.ies.isuzu.co.jp>